

VO-255/260 REAR

Articulated OverCenter Aerial Lift

WORKING HEIGHT: Up to 64 ft 4 in (19.6 m)

HORIZONTAL REACH: Up to 50 ft 8 in (15.4 m)

PLATFORM CAPACITY: Up to 450 lbs (204 kg) for VO-255

**DEMAND
BETTER.
DEMAND
VERSALIFT.**



VO-260 REAR model shown here.



VERSALIFT is a global leading manufacturer of bucket trucks, digger derricks, cable placers and other specialty equipment for the power generation, transmission and distribution, investor-owned utility, telecommunications, bridge inspection, light and sign, and forestry industries. Working with co-ops, municipalities, government agencies and corporations through its global network of facilities and distributors, the company employs almost 1,000 employees worldwide.

VO-255/260 REAR



Articulated OverCenter Aerial Lift

GENERAL SPECIFICATIONS:

(Based on 40" Frame)

VO-255 REAR w/44 in Pedestal:

Horizontal Reach Overcenter	46 ft 2 in (14.1 m)
Horizontal Reach Non-Overcenter	41 ft 11 in (12.8 m)
Maximum Platform Capacity	450 lbs (204 kg)
Height to Bottom of Platform	54 ft 10 in (16.7 m)
Working Height	59 ft 10 in (18.2 m)
Stowed Travel Height	11 ft 3 in (3.43 m)
Upper Boom Articulation	270° relative to lower boom
Lower Boom Articulation	125° from horizontal to 35° past vertical

VO-260 REAR w/44 in Pedestal:

Horizontal Reach Overcenter	50 ft 8 in (15.4 m)
Horizontal Reach Non-Overcenter	45 ft 5 in (13.8 m)
Maximum Platform Capacity	350 lbs (159 kg)
Height to Bottom of Platform	59 ft 4 in (18.1 m)
Working Height	64 ft 4 in (19.6 m)
Stowed Travel Height	11 ft 3 in (3.43 m)
Upper Boom Articulation	245° relative to lower boom
Lower Boom Articulation	125° from horizontal to 35° past vertical

INSULATION:

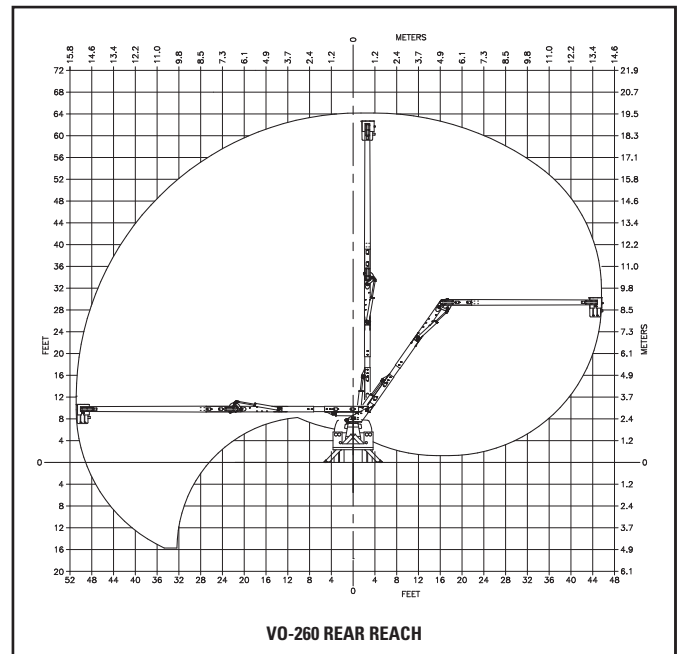
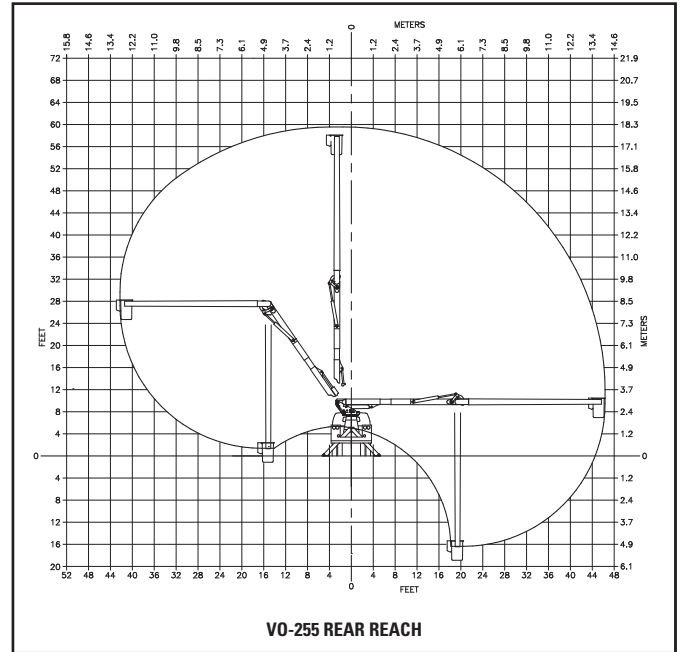
Upper Boom Insulation	214 in (5.44 m)
Lower Boom Insulation	18 in standard (0.45 m) <i>(24 in optional)</i>

HYDRAULIC SYSTEM:

Operating Pressure	2900 psi (200 bar)
Flow Rate	7 gpm (26 lpm)
Filtration	10 micron return 100 mesh suction
System Type	Open Center

OPTIONS:

Backup 12-Volt Pump	Various Platforms, Liners and Covers	Manual Tilt Platform
Tool Port Flow Control	1500 lb Lift Eye	Hydraulic Tilt Platform
Engine Throttle Control	Auxiliary Outriggers	Category B 46 kV and below, 69 kV
Automatic Boom Latch	TruGuard®	Various Pedestals



Note: Specifications on units may vary or change without prior notifications due to option selections.